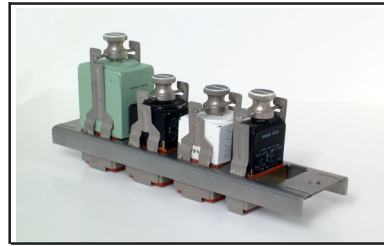
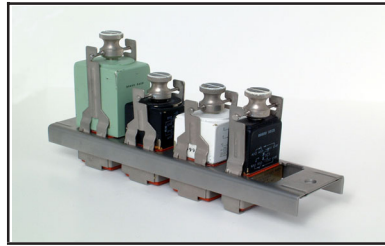


10 / 15 Amp Track Mount Characteristics



General characteristics

No. of poles

EL210/EL215

2 Form C (2 PDT)

EL410/EL415

4 Form C (4PDT)

Mass

54.5 grams [*.120 lb. Max*]

90.6 grams [*.20 lb. Max*]

Switching characteristics

Operate time @ 25 (Latch and Reset)

15 ms max.

20 ms max.

Bounce time

1 ms max.

1 ms max.

Mechanical Life

400,000 cycles

Contact rating	Type of load (High level)	Cycles x 10 ³	28 Vdc	115 Vac	115 Vac*	115/200 Vac	115/200 Vac*	10 AMP * = 10,000 CYCLES
				400 Hz 1 phase	50/60 Hz 1 phase	400 Hz 3 phase	50/60 Hz 3 phase	
	Resistive	100	10 amps	10 amps	2.5 amps	10 amps	2.5 amps	
	Inductive	20	8 amps	8 amps	n/a	8 amps	n/a	
	Inductive	10	n/a	n/a	2.5 amps	n/a	2.5 amps	
	Motor	100	4 amps	4 amps	2 amp	4 amps	2 amps	
	Lamp	100	2 amps	2 amps	1 amp	n/a	n/a	
	Overload current	n/a	40 amps	60 amps	n/a	60 amps	n/a	
	Rupture current	n/a	50 amps	80 amps	n/a	80 amps	n/a	

Contact rating	Type of load (High level)	Cycles x 10 ³	28 Vdc	115 Vac	115 Vac*	115/200 Vac	115/200 Vac*	15 AMP * = 10,000 CYCLES
				400 Hz 1 phase	50/60 Hz 1 phase	400 Hz 3 phase	50/60 Hz 3 phase	
	Resistive	100	15 amps	15 amps	3.75 amps	15 amps	3.75 amps	
	Inductive	20	10 amps	10 amps	n/a	10 amps	n/a	
	Inductive	10	n/a	n/a	3.75 amps	n/a	3.75 amps	
	Motor	100	6 amps	6 amps	3 amp	6 amps	3 amps	
	Lamp	100	3 amps	3 amps	1.5 amps	n/a	n/a	
	Overload current	n/a	40 amps	60 amps	n/a	60 amps	n/a	
	Rupture current	n/a	50 amps	80 amps	n/a	80 amps	n/a	

Environmental characteristics

Temperature Range

-70°C to +125°C

Vibration (Sinusoidal)

30 g 10-3000 Hz

Shock, any axis

200 g 6 ms

Seal

Hermetic (1 x 10⁻⁸ atm cm³/s)

Electrical characteristics

Contact voltage drop (@ Rated resistive load)

- Initial

150 mV Max.

- After guaranteed life

175 mV Max.

Dielectric strength @ sea level

- Initial @ 60 Hz

Coil to Case All other points

1050 Vrms 1500 Vrms

- After guaranteed life

1050 Vrms 1250 Vrms

Insulation Resistance

- Initial

100 Megohms min. @ 500 Vdc

- After life tests

100 Megohms min. @ 500 Vdc

- Max. leakage current

100 Microamp RMS.

Reference Military Specification

MIL-PRF-83536

EL S 2 10 E 4 M D

RELAY TYPE

EL: Latching

OPTIONAL

S: Internal Voltage Suppressor

MODEL

2: 2PDT See page 19,21-23

4: 4PDT See page 19, 24-26

RELAY AMPS

10: 10 AMPS

15: 15 AMPS

COIL CODE

2PDT: SEE PAGE 21

4PDT: SEE PAGE 24

MOUNTING STYLES

2PDT: SEE PAGE 22-23

4PDT: SEE PAGE 25-26

TERMINATION STYLES

2PDT: SEE PAGE 22-23

4PDT: SEE PAGE 25-26

'D' FOR CATALOG STANDARD OR

'A' FOR CATALOG STANDARD WITHOUT ARC BARRIERS

'XXXX' FOR SPECIAL INSTRUCTIONS OR SPECIFICATIONS

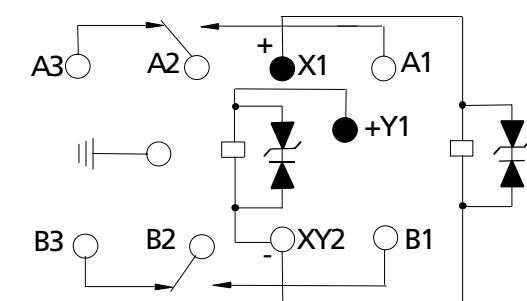
(ASSIGNED BY DRI)

Coil characteristics

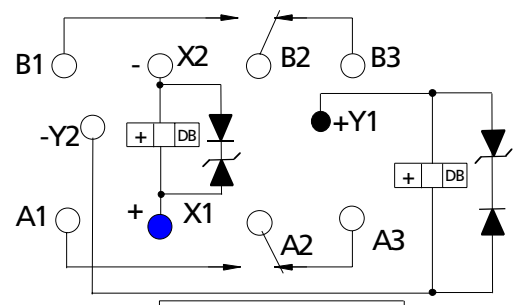
COIL CODE	DC					
	A	B	D	E	G	J
Nominal coil voltage	6	12	26,5	28	48	110
Maximum pick up voltage at 25°C	3	6	13.5	14	24	55
Maximum pick up voltage at 125°C	3,9	7,7	18	18,7	31	70
Minimum drop out voltage at -70° C	2	5	1,2	1,5	2	5
Coil resistance (ohms ±10% at 25°C)	15	60	280	300	1000	5000
Maximum coil transient suppression (where applicable) VDC	See	circuit	diagram	below	100	180

OTHER VOLTAGES AVAILABLE FROM FACTORY ON REQUEST

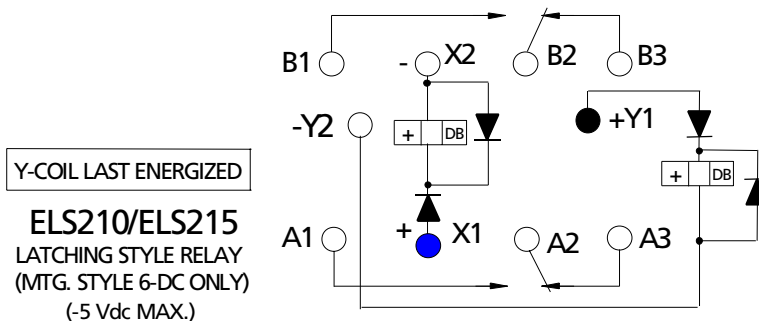
Circuit diagram



ELS210
LATCHING STYLE RELAY (MTG. STYLE 4-DC ONLY)
Y-COIL LAST ENERGIZED (-42 Vdc MAX.)



ELS210/ELS215
LATCHING STYLE RELAY (MTG. STYLE 6-DC ONLY)
OPTIONAL INTERNAL VOLTAGE SUPPRESSOR
(-42 Vdc MAX.)

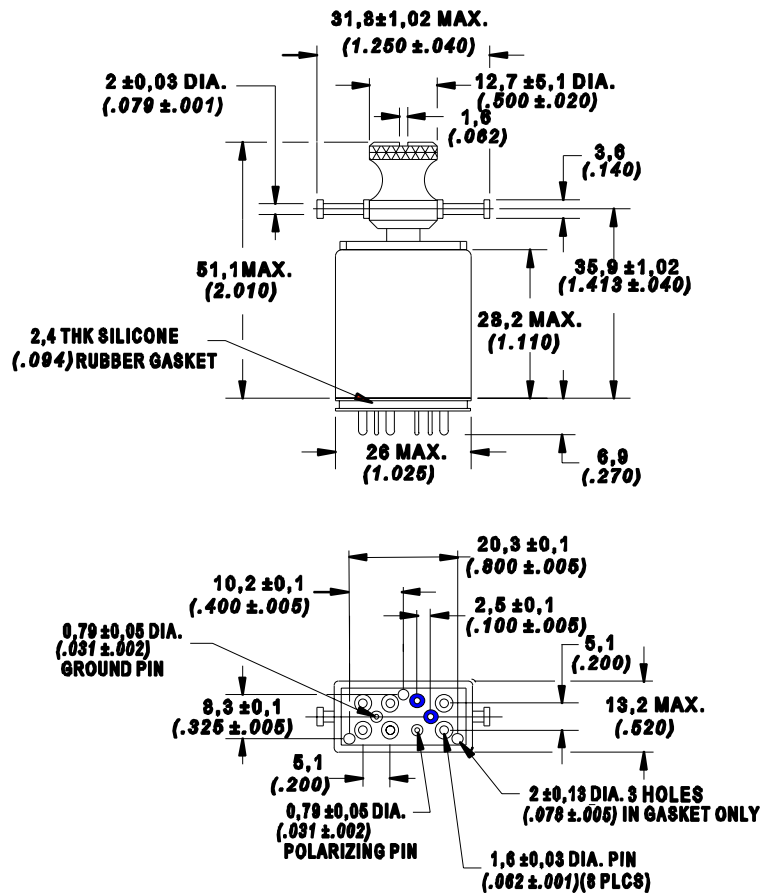


ELS210/ELS215
LATCHING STYLE RELAY
(MTG. STYLE 6-DC ONLY)
(-5 Vdc MAX.)

Mounting & Terminal Styles

DIMENSIONS ARE IN MM (IN.)
 UNLESS OTHERWISE SPECIFIED, TOLERANCE IS ± 0.25 (.010)

THESE TRACK MOUNT RELAYS TO BE USED WITH BRACKET ASSY AND TRACKS
 MEETING THE REQUIREMENTS OF MIL-PRF-12883. SEE MIL-PRF-12883/50
 FOR SOCKET INFORMATION AND MIL-PRF-12883/49 FOR TRACK INFORMATION



MOUNTING STYLE: 4

TERMINAL STYLE: M

[GOLD PLATED HEADER & TERMINALS

■ Mounting & Terminal Styles

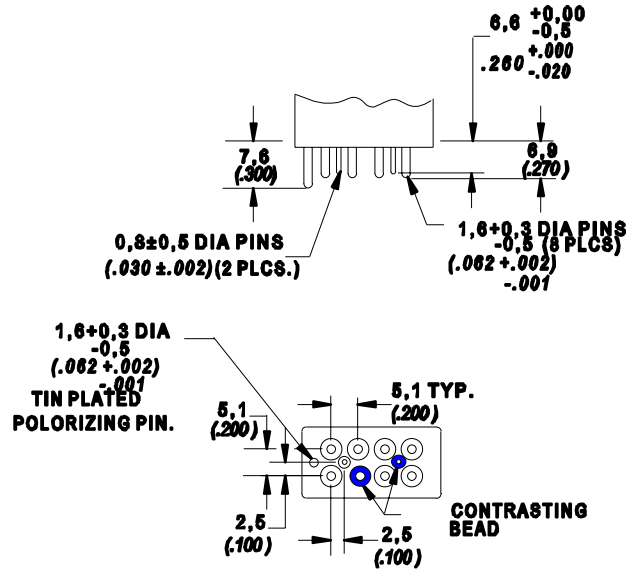
DIMENSIONS IN MM (IN.)
UNLESS OTHERWISE SPECIFIED, TOLERANCE IS ± 0.25 (.010)

MOUNTING STYLE: 6

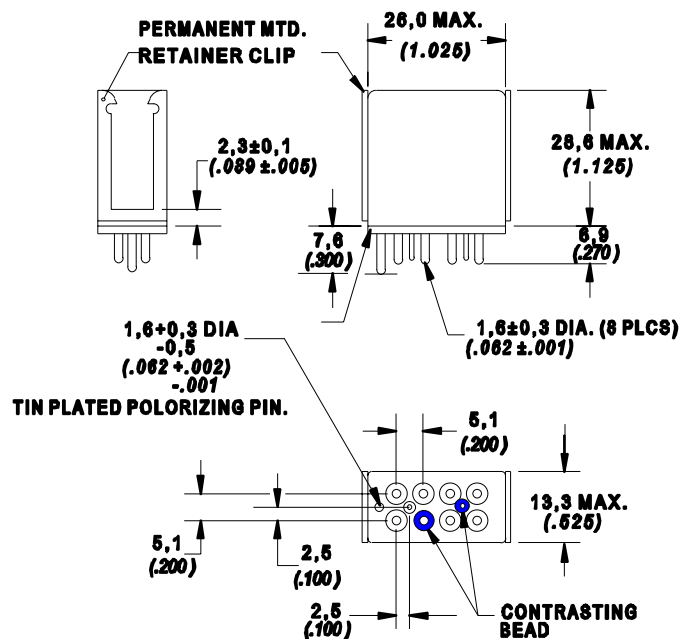
TERMINAL STYLE: M GOLD PLATED TERMINALS WITH TIN PLATED POLARIZING PIN

V TIN PLATED TERMINALS WITH TIN PLATED POLARIZING PIN

STYLE V : SOLDER PIN



STYLE M : PLUG IN

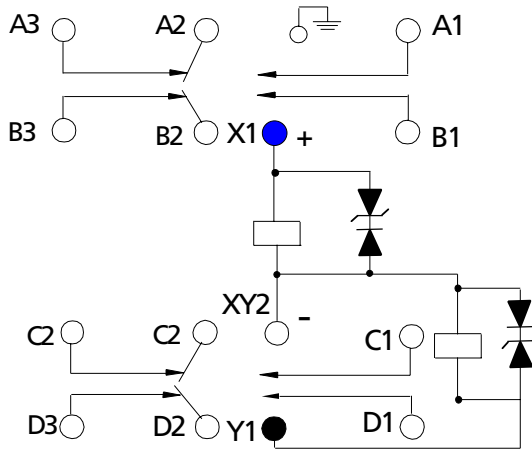


Coil Characteristics

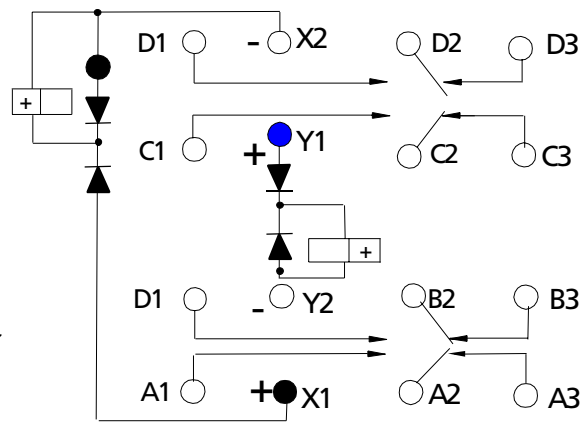
COIL CODE	DC					
	A	B	D	E	G	J
Nominal coil voltage	6	12	26,5	28	48	110
Maximum pick up voltage at 25°C	3	6	13.5	14	24	55
Maximum pick up voltage at 125°C	3,9	7,7	18	18,7	31	70
Minimum drop out voltage at -70° C	2	5	1,2	1,5	2	5
Coil resistance (ohms ±10% at 25°C)	15	60	280	300	1000	5000
Maximum coil transient suppression (where applicable)VDC	See	circuit	diagram	below	100	180

OTHER VOLTAGES AVAILABLE FROM FACTORY ON REQUEST

Circuit Diagram

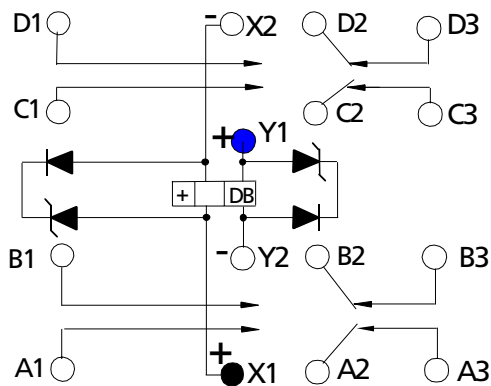


ELS410
LATCHING STYLE RELAY(MTG. STYLE 4-DC ONLY)
Y-COIL LAST ENERGIZED
(-42 Vdc MAX.)



ELR410/ELR415
LATCHING STYLE RELAY (MTG. STYLE 6-DC ONLY)
Y-COIL LAST ENERGIZED
(-5 Vdc MAX.)

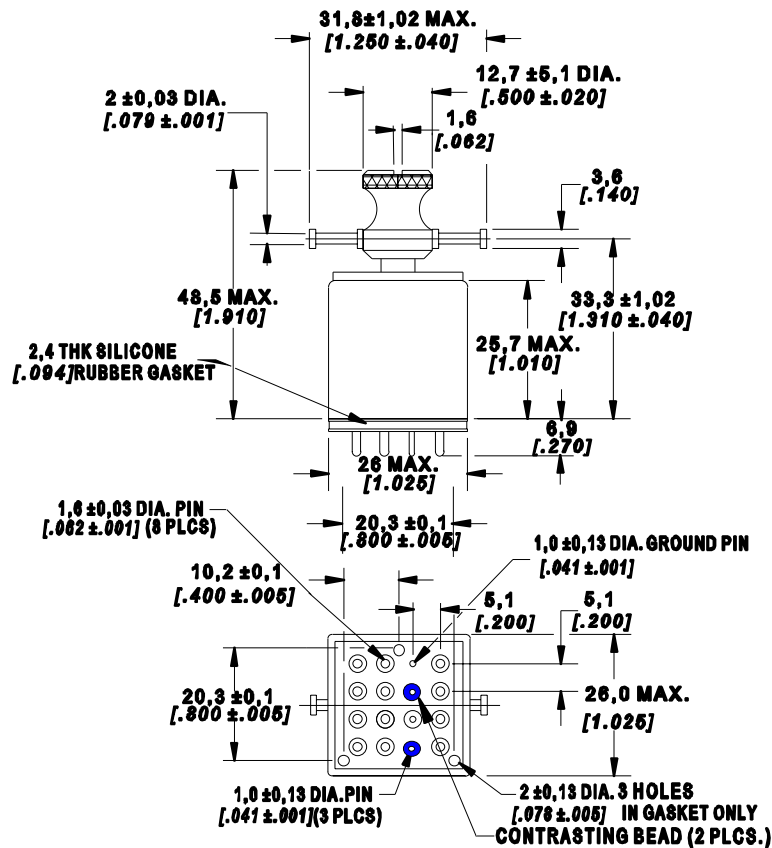
ELS410/ELS415
LATCHING STYLE RELAY (MTG. STYLE 6-DC ONLY)
OPTIONAL INTERNAL VOLTAGE SUPPRESSOR
Y-COIL LAST ENERGIZED
(-42 Vdc MAX.)



■ Mounting & Terminal Styles

DIMENSIONS ARE IN MM (IN.)
UNLESS OTHERWISE SPECIFIED, TOLERANCE IS ± 0.25 (.010)

THESE TRACK MOUNT RELAYS TO BE USED WITH BRACKET ASSY AND TRACKS
MEETING THE REQUIREMENTS OF MIL-PRF-12883. SEE MIL-PRF-12883/50
FOR SOCKET INFORMATION AND MIL-PRF-12883/49 FOR TRACK INFORMATION



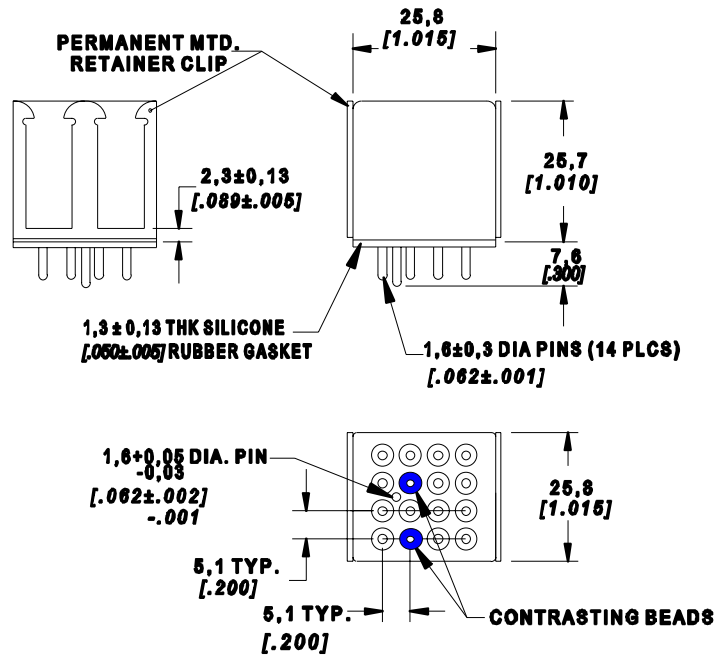
MOUNTING STYLE: 4

TERMINAL STYLE: M

[GOLD PLATED HEADER & TERMINALS (DC)]

■ Mounting & Terminal Styles

DIMENSIONS ARE IN MM (IN.)
UNLESS OTHERWISE SPECIFIED, TOLERANCE IS ± 0.25 (.010)



MOUNTING STYLE: 6

TERMINAL STYLE: C [GOLD PLATED HEADER & TERMINALS (DC)]

M [GOLD PLATED WITH TIN PLATED POLARIZING PIN]