



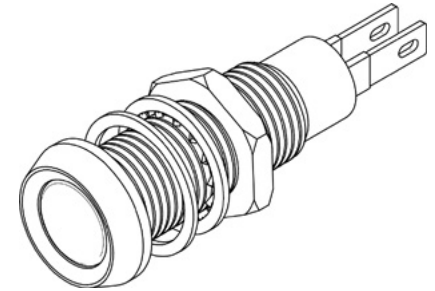
ML 5115 PANEL INDICATORS

FEATURES

- > Wide viewing angles
- > Multiple LED colors available
- > High intensity LED
- > Sealed to IP67 standard
- > Voltage options (*see chart*)
- > Industrial/external applications
- > Panel-suitable mounting
- > Internal reverse protection diode fitted in all models
- > Internal resistor
- > Internal potting for protection
- > Viton rubber panel seal

Colors	Color Code
Red	R
Yellow	Y
Green	G
Blue	B
Cool White	C

Customized versions available upon request.



The ML 5115 Panel Indicators are rugged durable LED indicators that are suitable for panel mounting. These indicators are IP67 sealed for external functionality and feature internal potting for vibration control and durability to withstand industrial applications. Indicators meet specific military specifications listed in data sheet. These indicators come in a variety of color and voltage applications. Refer to the product specifications for additional details.

PROPERTIES

Material							
Housing	Black Anodized Aluminum						
Hex Nut	Nickel Plated Brass						
Lock Washer	Spring Steel						
Terminals	Silver Coated Brass						
Mounting Hole	Ø 0.319 "D" Cutout						
Min. Panel Thickness	0.06						
Weight	5.3 grams						
Operational Temp.	-40°C to 75°C						
Storage Temp.	-40°C to 100°C						
Smoked Lens							
Optional Connections	Connectors - Tin Plated Brass						
	Wire Leads						
	<table border="1"> <thead> <tr> <th colspan="2">Wire Length (Inches)</th> </tr> </thead> <tbody> <tr> <td>WL</td> <td>6</td> </tr> <tr> <td>WX</td> <td>39</td> </tr> </tbody> </table>	Wire Length (Inches)		WL	6	WX	39
Wire Length (Inches)							
WL	6						
WX	39						

ENVIRONMENTAL SPECIFICATIONS

Vibration	.06" D.A. or 20G peak, whichever is less, 10 Hz to 2 kHz, MIL-STD-202, Method 204, Test Condition D
Shock	100G'S MIL-STD-202, Method 213, Test Condition I
Moisture Resistance (Humidity)	MIL-STD-202, Method 106
Barometric Pressure (Reduced)	100,000 ft. MIL-STD-202, Method 105, Test Condition D
Salt Atmosphere	MIL-STD-202, Method 101, Test Condition B

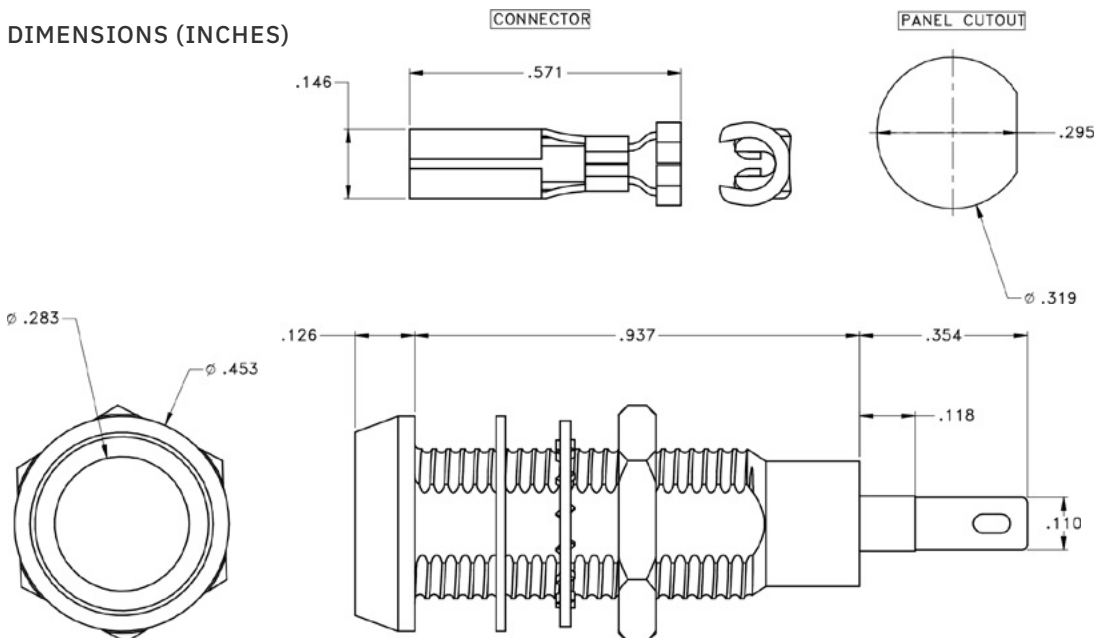
ELECTRICAL SPECIFICATIONS

Voltage (Vdc)
12
24 - 28
48
5 - 6

ELECTRO-OPTICAL SPECIFICATIONS

CHARACTERISTICS				ML5115-()-ND-()-()				
	Voltage (Vdc) Typical	Max Reverse Voltage	Current (mA) Typical	Red	Yellow	Green	Blue	Cool White
Typical Luminous Intensity (mcd)	12	1000	15 - 20	458	440	1815	364	1359
	24 - 28	1000	12 - 20	346 - 458	330 - 340	1815 - 2157	364 - 452	743 - 1063
	48	1000	13	346	330	1815	364	1063
	5 - 6	1000	3 - 17	236 - 346	217 - 330	814 - 1360	154 - 364	939 - 1063
Typical Wavelength (λp)	(24 - 28)	(1000)	(15 - 20)	619	585	520	468	SEE BELOW
TYPICAL EMISSION COOL WHITE								
	X		0.275	0.280	0.290			
	Y		0.270	0.280	0.300			
Max. Power Dissipation			700 mW					

DIMENSIONS (INCHES)



ML 5115 ORDERING INFORMATION

FAMILY SERIES – COLOR – NON DIFFUSED – WIRE LENGTH/TERMINAL – VOLTAGE ML5115-()-ND-()-()					
Model No.	Color	Voltage	Model No.	Color	Voltage
ML5115-R-ND-T-12	Red	12	ML5115-R-ND-T-48	Red	48
ML5115-Y-ND-T-12	Yellow	12	ML5115-Y-ND-T-48	Yellow	48
ML5115-G-ND-T-12	Green	12	ML5115-G-ND-T-48	Green	48
ML5115-B-ND-T-12	Blue	12	ML5115-B-ND-T-48	Blue	48
ML5115-C-ND-T-12	Cool White	12	ML5115-C-ND-T-48	Cool White	48
ML5115-R-ND-WL-12	Red	12	ML5115-R-ND-WL-48	Red	48
ML5115-Y-ND-WL-12	Yellow	12	ML5115-Y-ND-WL-48	Yellow	48
ML5115-G-ND-WL-12	Green	12	ML5115-G-ND-WL-48	Green	48
ML5115-B-ND-WL-12	Blue	12	ML5115-B-ND-WL-48	Blue	48
ML5115-C-ND-WL-12	Cool White	12	ML5115-C-ND-WL-48	Cool White	48
ML5115-R-ND-WX-12	Red	12	ML5115-R-ND-WX-48	Red	48
ML5115-Y-ND-WX-12	Yellow	12	ML5115-Y-ND-WX-48	Yellow	48
ML5115-G-ND-WX-12	Green	12	ML5115-G-ND-WX-48	Green	48
ML5115-B-ND-WX-12	Blue	12	ML5115-B-ND-WX-48	Blue	48
ML5115-C-ND-WX-12	Cool White	12	ML5115-C-ND-WX-48	Cool White	48
ML5115-R-ND-T-24/28	Red	24/28	ML5115 - R - ND - T - 5/6	Red	5/6
ML5115-Y-ND-T-24/28	Yellow	24/28	ML5115 - Y - ND - T - 5/6	Yellow	5/6
ML5115-G-ND-T-24/28	Green	24/28	ML5115 - G - ND - T - 5/6	Green	5/6
ML5115-B-ND-T-24/28	Blue	24/28	ML5115 - B - ND - T - 5/6	Blue	5/6
ML5115-C-ND-T-24/28	Cool White	24/28	ML5115 - C - ND - T - 5/6	Cool White	5/6
ML5115-R-ND-WL-24/28	Red	24/28	ML5115 - R - ND - WL - 5/6	Red	5/6
ML5115-Y-ND-WL-24/28	Yellow	24/28	ML5115 - Y - ND - WL - 5/6	Yellow	5/6
ML5115-G-ND-WL-24/28	Green	24/28	ML5115 - G - ND - WL - 5/6	Green	5/6
ML5115-B-ND-WL-24/28	Blue	24/28	ML5115 - B - ND - WL - 5/6	Blue	5/6
ML5115-C-ND-WL-24/28	Cool White	24/28	ML5115 - C - ND - WL - 5/6	Cool White	5/6
ML5115-R-ND-WX-24/28	Red	24/28	ML5115 - R - ND - WX - 5/6	Red	5/6
ML5115-Y-ND-WX-24/28	Yellow	24/28	ML5115 - Y - ND - WX - 5/6	Yellow	5/6
ML5115-G-ND-WX-24/28	Green	24/28	ML5115 - G - ND - WX - 5/6	Green	5/6
ML5115-B-ND-WX-24/28	Blue	24/28	ML5115 - B - ND - WX - 5/6	Blue	5/6
ML5115-C-ND-WX-24/28	Cool White	24/28	ML5115 - C - ND - WX - 5/6	Cool White	5/6

NOTE:

LABELING INFORMATION	
Laser etch case	ML5115
Laser etch date code	YYWW
Label ESD BAG:	Example:
Cage code	10236
Model number	ML5115-R-ND-T-12
Date code (YYWW)	2032

ML 5115 Panel Indicators

© 2021 L3Harris Technologies, Inc. | 07/2021

Public Release. These item(s)/data have been reviewed in accordance with the International Traffic in Arms Regulations (ITAR), 22 CFR part 120.11, and the Export Administration Regulations (EAR), 15 CFR 734(3)(b)(3), and may be released without export restrictions.

L3Harris Technologies is an agile global aerospace and defense technology innovator, delivering end-to-end solutions that meet customers' mission-critical needs. The company provides advanced defense and commercial technologies across air, land, sea, space and cyber domains.



L3HARRIS™
FAST. FORWARD.

1025 W. NASA Boulevard
Melbourne, FL 32919
t 513 943 2000 | f 513 943 2050
info@L3Harris.com