



L3HARRIS™
FAST. FORWARD.

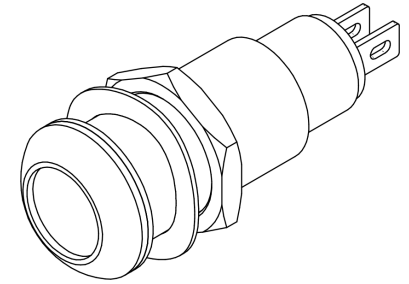
ML 5116 PANEL INDICATORS

FEATURES

- > Wide viewing angles
- > Multiple LED colors available
- > High intensity LED
- > Sealed to IP67 standard
- > Voltage options (*see chart*)
- > Industrial/external applications
- > Panel-suitable mounting
- > Bi-polar circuitry
- > Internal resistor
- > Internal potting for protection
- > Viton rubber panel seal

Colors	Color Code
Red	R
Yellow	Y
High Green	HG
Medium Green	MG
Low Green	LG
Blue	B
940nm Infrared Orange	O2
880nm Infrared Orange	O3
Cool White	C

Customized versions available upon request.



ML 5116 Panel Indicators are rugged durable LED indicators that are suitable for mounting. These indicators are IP67 sealed for external functionality and feature internal potting for vibration control and durability to withstand industrial applications. Indicators meet specific military specifications listed in data sheet. These indicators come in a variety of colors and with AC or low voltage applications. Refer to the product specifications for additional details.

PROPERTIES	
Material	
Housing	Black Anodized Aluminum
Hex Nut	Nickel Plated Brass
Lock Washer	Spring Steel Wavy Washer
Terminals	Silver Flash Coated Brass
Mounting Hole	
Min. Panel Thickness	Ø 0.375
	Optional: "D" Cutout
Weight	
	6.9 grams
Operational Temp.	
Orange Infrared	-40°C to 75°C
	-40°C to 85°C
Storage Temp.	
Orange Infrared	-40°C to 100°C
	-40°C to 85°C
Flat Water Clear Lens	
Optional Connections	Connectors - Tin Plated Brass
ENVIRONMENTAL SPECIFICATIONS	
Vibration	.06" D.A. or 20G peak, whichever is less, 10 Hz to 2 kHz, MIL-STD-202, Method 204, Test Condition D
Shock	100G'S MIL-STD-202, Method 213, Test Condition I
Moisture Resistance (Humidity)	MIL-STD-202, Method 106
Barometric Pressure (Reduced)	100,000 ft. MIL-STD-202, Method 105, Test Condition D
Salt Atmosphere	MIL-STD-202, Method 101, Test Condition B

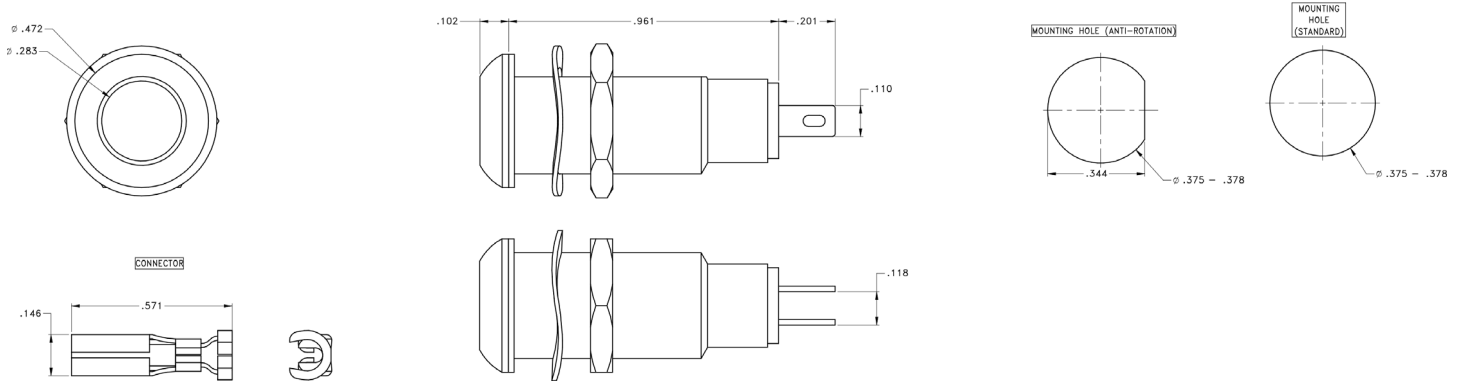
ELECTRO-OPTICAL SPECIFICATIONS

ELECTRICAL SPECIFICATIONS

CHARACTERISTICS		ML5116-()-ND-T-8/48									
	(Vdc)	Current (mA)	Red	Yellow	High Green	Medium Green	Low Green	Blue	940nm Infrared	880nm Infrared	Cool White
	Typical	Typical									
Typical Luminous Intensity (mcd)	8 – 48	10	236	237	1360	814 ^[1]	814 ^{[2] [3]}	270	10 ^[4]	7.5 ^[4]	743
Typical Wavelength (λp)	(8 – 48)	10	619	585	505	505	505	468	940	880	SEE BELOW
^[1] Blue (9 – 10) mA ^[2] Blue (8) mA ^[3] Blue (9 – 10) mA ^[4] Blue (8) mA											
TYPICAL EMISSION COOL WHITE											
	X	0.275	0.280	0.290							
	Y	0.270	0.280	0.300							

Voltage (Vdc)
8 – 48

DIMENSIONS (INCHES)



ML 5116 ORDERING INFORMATION

FAMILY SERIES – COLOR – NON DIFFUSED – TERMINAL – VOLTAGE ML5116-()-ND-T-8/48		
Model No.	Color	Voltage
ML5116-R-ND-T-8/48	Red	8/48
ML5116-Y-ND-T-8/48	Yellow	8/48
ML5116-HG-ND-T-8/48	High Green	8/48
ML5116-MG-ND-T-8/48	Medium Green	8/48
ML5116-LG-ND-T-8/48	Low Green	8/48
ML5116-B-ND-T-8/48	Blue	8/48
ML5116-O2-ND-T-8/48	940nm Infrared Orange	8/48
ML5116-O3-ND-T-8/48	880nm Infrared Orange	8/48
ML5116-C-ND-T-8/48	Cool White	8/48

NOTE:

LABELING INFORMATION	
Laser etch case	ML5116
Laser etch date code	YYWW
Label ESD BAG:	Example:
Cage code	10236
Model number	ML5116-R-ND-T-8/48
Date code (YYWW)	2032

ML 5116 Panel Indicators

© 2021 L3Harris Technologies, Inc. | 07/2021

Refer to your Trade Compliance Lead or Empowered Official for exact disclaimer language.

L3Harris Technologies is an agile global aerospace and defense technology innovator, delivering end-to-end solutions that meet customers' mission-critical needs. The company provides advanced defense and commercial technologies across air, land, sea, space and cyber domains.



1025 W. NASA Boulevard
 Melbourne, FL 32919
 t 513 943 2000 | f 513 943 2050
 info@L3Harris.com