



700220 & 700222-1 DUST COVERS

Dust Covers are designed to protect maintenance personnel from inadvertent contact with the terminals of a charged battery.

The rigid, white 700220 cover can be easily installed by hand on all Rebling bulkhead-mounted receptacles and meets the MS3509 military specification. This rigid design is also available with a custom logo printed upon it.

The 700222-1 is an elastomeric dust cover attached to a gasket. The gasket seals the back of the receptacle to the bulkhead or battery case to which it is attached. The dust cover can be installed on all Rebling Style 1 bulkhead-mounted receptacles and meets the MS3509 military specification.



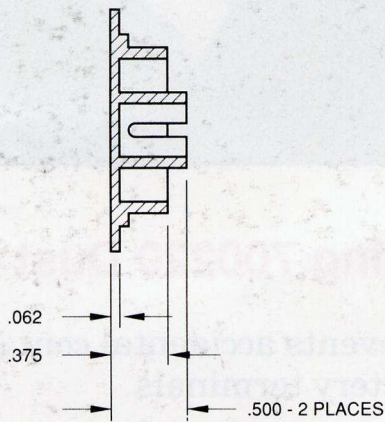
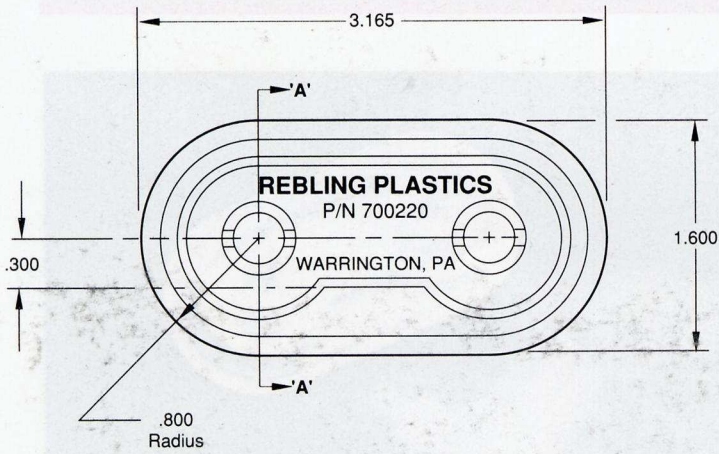
Rebling 700220 Dust Cover

- Prevents accidental contact with battery terminals
- Mates with MS3509 receptacles
- Covers receptacle contacts completely



**Custom
Imprints
Available**

700220 Dust Cover



SEC. A-A

700260 Universal Vent Wrench

