

# AVIONICS/MIL CABLE MOUNTED PLUG 7013 SERIES HIGH CURRENT CONNECTOR

All of our two pole, avionics-grade, quick disconnect, cable-mounted plugs are designed to mate with our avionics-grade, bulkhead-mounted receptacles. Each connector undergoes an electrical resistance test prior to shipment, 100% of the attaching hardware is functionally tested, the connector's components are fully assembled, a unique serial number is attached to the connector as well as the individual container in which it is shipped and a list of all serial numbers for each shipment is included with the shipping documents. It can also be used when only two cables are attached. The quick disconnect feature enables an operator, even with double-gloved hands, to rotate the handle clockwise to engage the connector and lock it in place then to rotate the handle counter-clockwise to disengage the electrical contacts and unlock the connector. The 7013 is similar to our 7016 and 7017 plug connectors but the 7013 does not have a protective backshell.

## ELECTRICAL

### Current

- ▶ Rated Current (per MIL PRF 18148D) 750 amp

### Voltage

- ▶ Rated Voltage (volts) 750
- ▶ Dielectric Withstanding Voltage 2,500

- ▶ Contact Resistance (Micro Ohms) 60

## MECHANICAL

### Wire Size Range

- ▶ Minimum Wire Size 8 AWG
- ▶ Maximum Wire Size 4/0
- ▶ Maximum Cable OD (inches) 0.76"
- ▶ Maximum Terminal Lug Tongue Width (inches) 1.06"
- ▶ Maximum Terminal Lug Web Width (inches) 0.35"

### Environmental Sealing when mated

- ▶ With standard kit components IP13

### Operating Temperature

- ▶ Minimum (°C) -85°
- ▶ Maximum (°C) 71°

- ▶ Flammability Rating (per UL#94) V-0

- ▶ Mechanical Shock 20gs - 3 axes

- ▶ Vibration 10gs - 3 axes

### Mating Cycles

- ▶ No Electrical Load (# mating cycles) 5,000

### Mating Force

- ▶ Maximum Mating or Unmating force after 10 matings (inch-pounds) 12
- ▶ Maximum Mating or Unmating force after 5,000 matings (inch-pounds) 12

- ▶ Torque on Electrical Connections 50-60 in lbs

## 7013 SERIES

AVIONICS/MIL PLUG  
CAN BE FOUND IN THE  
FOLLOWING INDUSTRIES.....

AVIATION

BOAT & PORT OPERATIONS

EMERGENCY VEHICLES

MARINE

MILITARY VEHICLES & EQUIPMENT

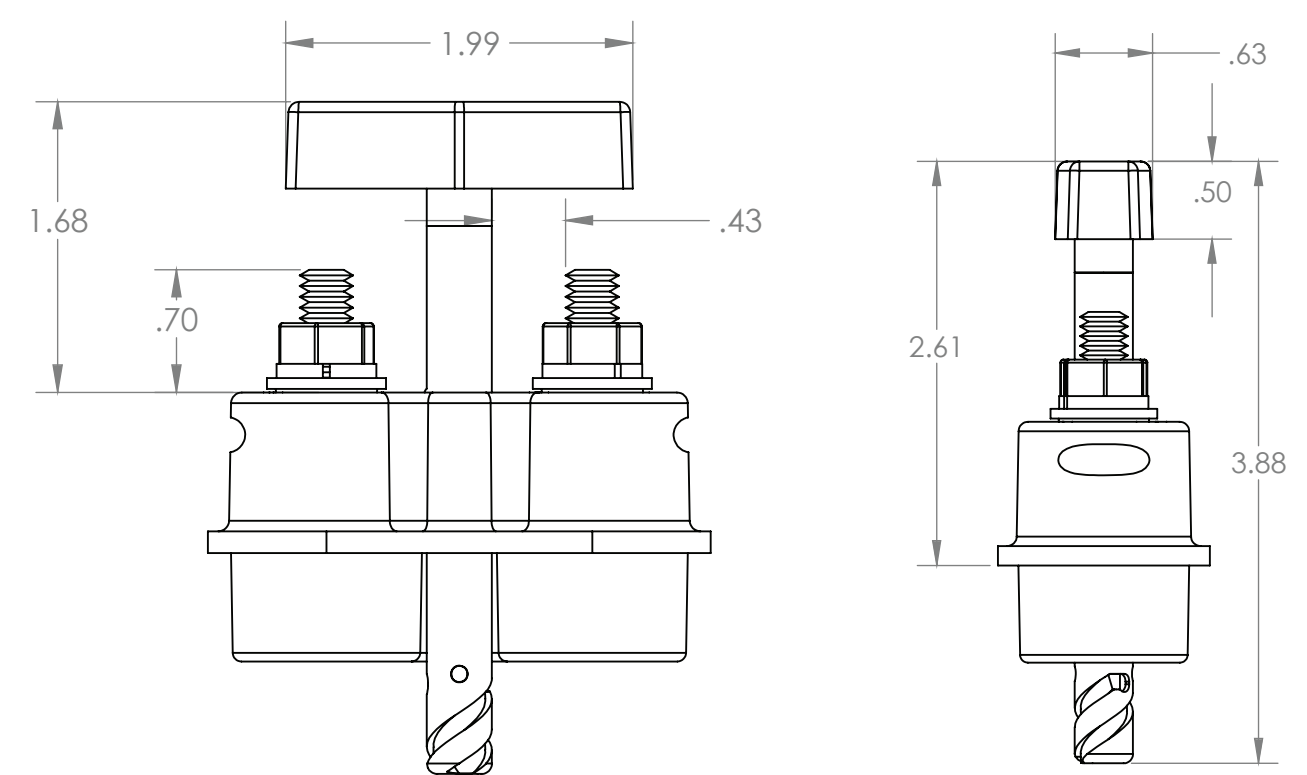
MINING/DRILLING/OIL

RAIL

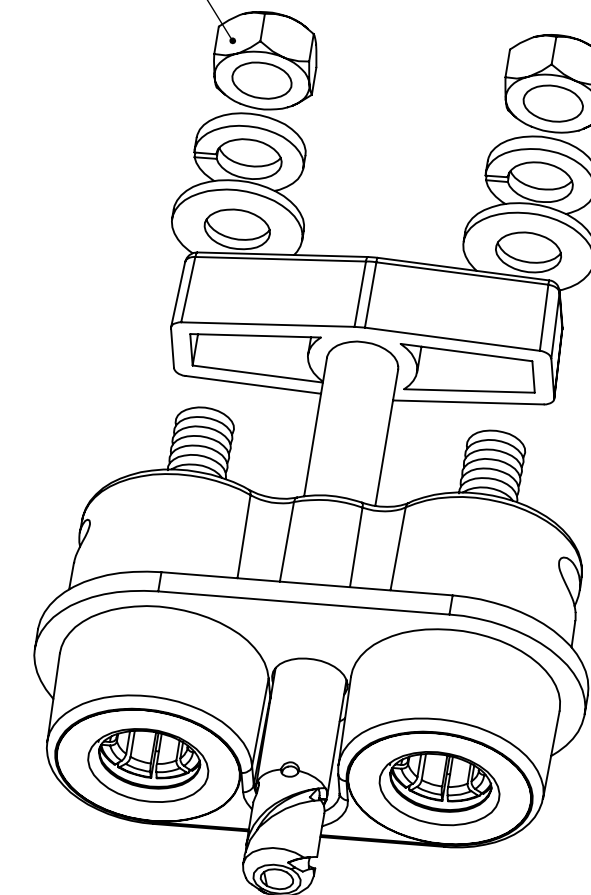
## CERTIFICATIONS:

CERTIFIED FOR AVIONICS APPLICATIONS  
PER MILITARY STANDARDS #

▶ EAR99



5/16-18 HARDWARE



## ORDERING INFORMATION

### CONNECTOR

- ▶ 7013 Plug, 2 Wire, Tee Handle, No Backshell, Black