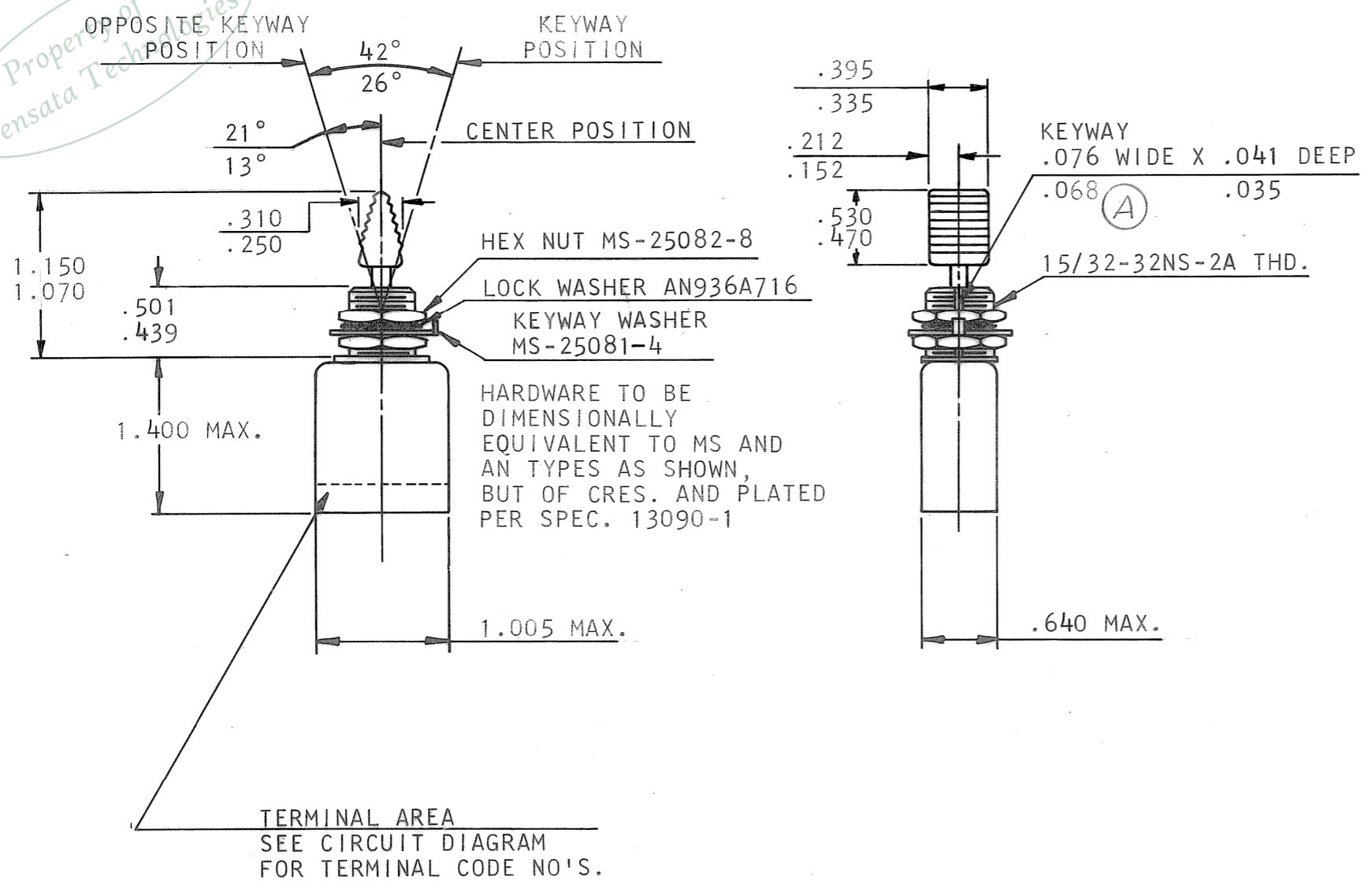


Property of
Sensata Technologies

REVISIONS				
ZONE	LTR	DESCRIPTION	DATE	APPROVED
-	-	1st. Issue R.L. CR.17048	1-31-66	JAB
-	A	Was .076/.088 Wide CR19088	R.L. 5-16-66	JAB
-	B	Added Note CR19481	R.L. 10-18-66	JH



(B) NOTE: WHEN THIS DEVICE IS SUBJECT TO CONFIGURATION CONTROL REQUIREMENTS, A 2ND DASH FIELD WILL BE REQUIRED. I.E.: 12AT4-1-01 REFER TO CONFIGURATION CONTROL DWG. FOR THIS NO. 12AT4-1 PARTS LIST REQUIRES 12AT4-1 CONFIGURATION CONTROL DWG. NO.

TOGGLE POSITION	TOGGLE ACTION	CIRCUIT
KEYWAY	MAINTAINED	1 ○ 2 ○ 3 ○ 4
CENTER	MAINTAINED	1 ○ 2 ○ 3 ○ 4
OPPOSITE KEYWAY	MAINTAINED	1 ○ 2 ○ 3 ○ 4

UNLESS OTHERWISE SPECIFIED DIMENSIONS ARE IN INCHES	BY <i>R. Lee</i>	DATE 1-31-66	METALS & CONTROLS INC. ATTLEBORO, MASSACHUSETTS, U.S.A. A CORPORATE DIVISION OF TEXAS INSTRUMENTS INCORPORATED	KLIXON CONTROL PRODUCTS GROUP
	TOLERANCE ON FRACTIONS DECIMALS ANGLES / / /	CH.		
MATERIAL	APPROVED <i>J. A. Brown 2-2-66</i>		SIZE B	CODE IDENT NO. 82647
			SCALE FULL	WT
			SHEET	

TOGGLE SWITCH, HERMETICALLY SEALED
SP3T
ENVELOPE DRAWING

12AT4-1