

5

4

3

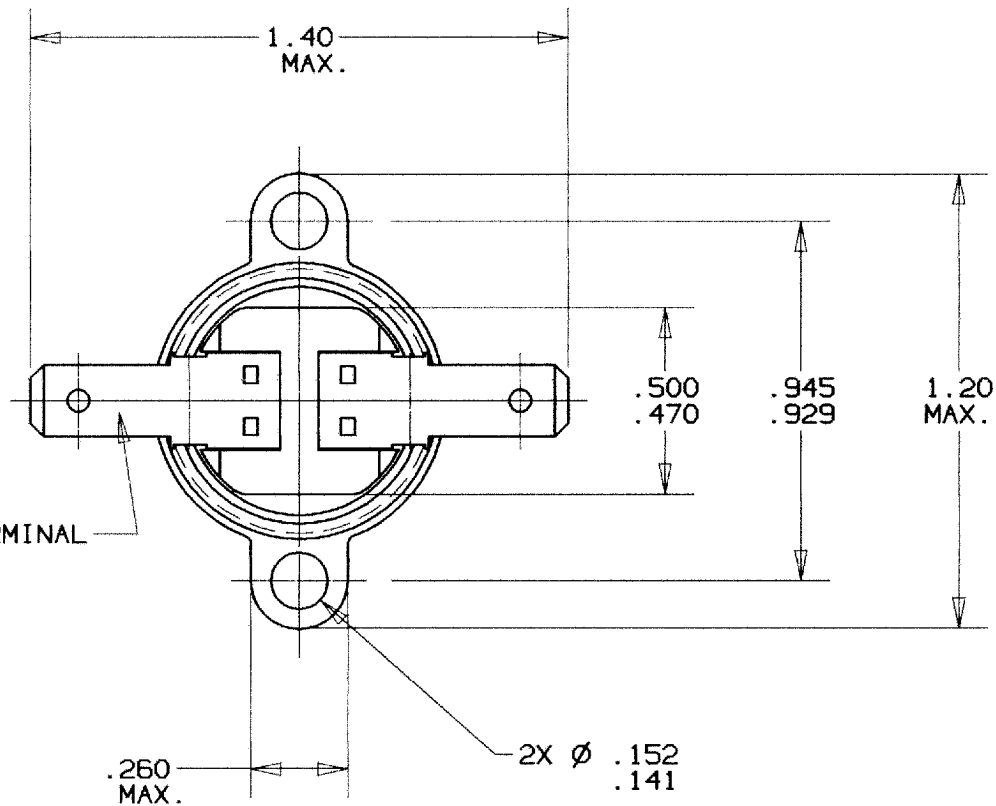
2

1

REVISIONS

| ZONE | LTR | DEV. # | DESCRIPTION | PROJ. # | DATE | APPROVED |
|------|-----|--------|-----------------------|---------------|----------|----------|
| | A | 7BT2 | 1 ST ISSUE | 3190 | 12/09/98 | S.B.M. |
| | | | | ECN#M42898 MF | | |

Property of
Sensata Technologies



2X FLAT .250 REF. Q.C. TERMINAL
.030 THICK REF.

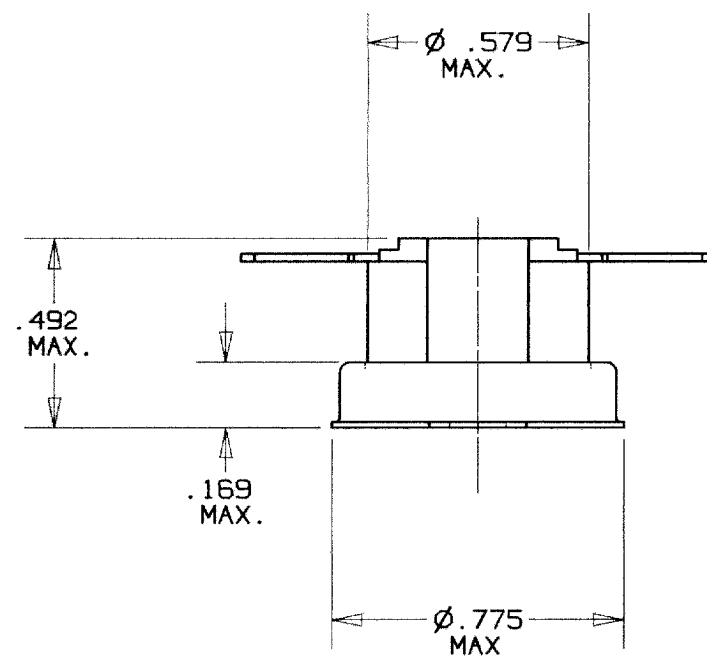
.260
MAX.

2X ϕ .152
.141

PART NO.: 7BT2L3G-*
7BT2F3G-*

L DESIGNATES OPEN ON TEMPERATURE RISE.
F DESIGNATES CLOSE ON TEMPERATURE RISE.

*WHEN CUSTOMERS TEMPERATURE CHARACTERISTICS ARE ESTABLISHED A DASH NO. WILL BE ASSIGNED, THEREBY COMPLETING THE PART NO.


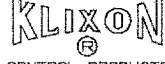


.492
MAX.

.169
MAX.

ϕ .579
MAX.

ϕ .775
MAX.

| | | | | | | | | | | | | | | | | | | | | | | | |
|--|--|--|--|--------------------------|--|------------------|--|---|--|--|--|--|--|-----|--|-------------------------|--|--|--|---------|--|--|--|
| | | | | | | | | | | | | Q4 | | P17 | | | | | | | | | |
| UNLESS OTHERWISE SPECIFIED DIMENSIONS ARE IN INCHES | | | | DRAWN MARK FONTES | | DATE 12/09/98 | |  TEXAS INSTRUMENTS ATTLEBORO, MASSACHUSETTS 02703 | | | |  KLIXON CONTROL PRODUCTS DIVISION | | | | | | | | | | | |
| TOLERANCES ON FRACTIONS DECIMALS ANGLES | | | | ENGINEER S.B. MARQUIS | | 12/09/98 | | TITLE FIXED TEMPERATURE THERMOSTAT ENVELOPE DRAWING | | | | SIZE B | | | | | | | | | | | |
| MATERIAL | | | | APPROVED D.R. PETRIE | | 12/09/98 | | | | | | | | | | CODE IDENT NO. 82647 | | | | 7BT2-3G | | | |
| | | | | APPROVED G. FIELD | | 12/09/98 | | | | | | | | | | | | | | | | | |
| SIGNATURES ON FILE. REFER TO ELECTRONIC CHANGE NOTICE. | | | | | | | | | | | | | | | | | | | | | | | |