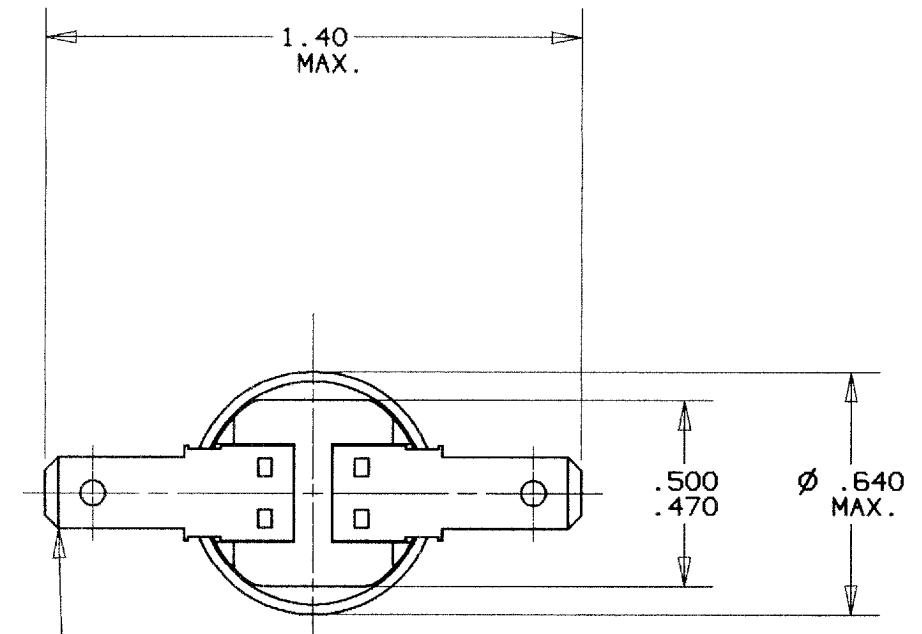


Property of  
Sensata Technologies

REVISIONS						
ZONE	LTR	DEV. #	DESCRIPTION	PROJ. #	DATE	APPROVED
	A	7BT2	1 <sup>ST</sup> ISSUE	3190	12/09/98	S.B.M.
				ECN#M43074 MF		

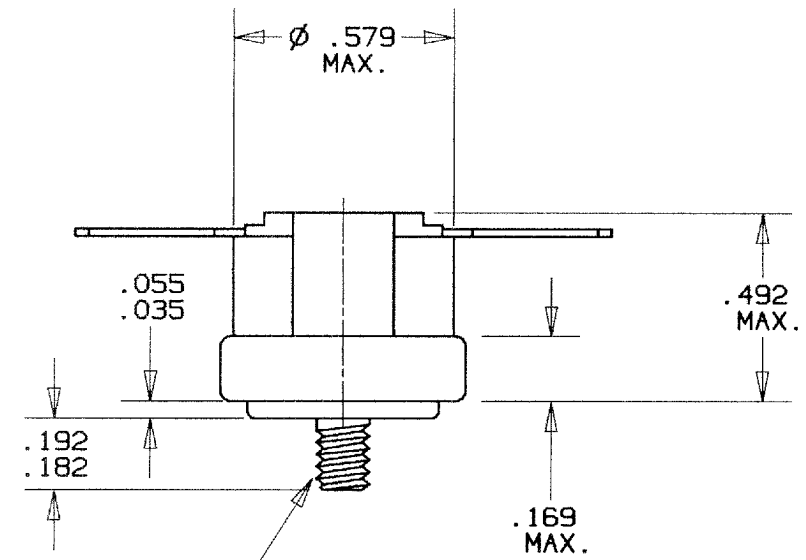


2x FLAT .250 REF. Q.C. TERMINAL  
.030 THICK REF.


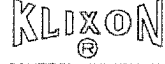
PART NO.: 7BT2L6G-\*  
7BT2F6G-\*

"L" DESIGNATES OPEN ON TEMPERATURE RISE.  
"F" DESIGNATES CLOSE ON TEMPERATURE RISE.

\*WHEN CUSTOMERS TEMPERATURE CHARACTERISTICS ARE ESTABLISHED A DASH NO. WILL BE ASSIGNED, THEREBY COMPLETING THE PART NO.



#6-32UNC-2A  
THREAD

				Q4	P17
UNLESS OTHERWISE SPECIFIED DIMENSIONS ARE IN INCHES	DRAWN MARK FONTES	DATE 12/09/98	 TEXAS INSTRUMENTS ATTLEBORO, MASSACHUSETTS 02703		 CONTROL PRODUCTS DIVISION
TOLERANCES ON FRACTIONS DECIMALS ANGLES	ENGINEER S.B. MARQUIS	12/09/98	TITLE <b>FIXED TEMPERATURE          THERMOSTAT          ENVELOPE DRAWING</b>		
MATERIAL	APPROVED D.R. PETRIE	12/09/98			
	APPROVED G. FIELD	12/09/98	SIZE B	CODE IDENT NO. 82647	7BT2-6G
SIGNATURES ON FILE. REFER TO ELECTRONIC CHANGE NOTICE.					